

# THERMASOL®

*Cleanse Your Body. Purify Your Soul.*

## Installation Instructions

### Steam Shower Series

With Fast Start Technology  
Manufacture Post 2005



**If you are a plumber installing this unit, please leave this owners manual & warranty card with the owner when you finish the installation.**

This instruction supercedes all previous information provided by ThermaSol

**Thank You!**

#### **CONSUMER WARNING**

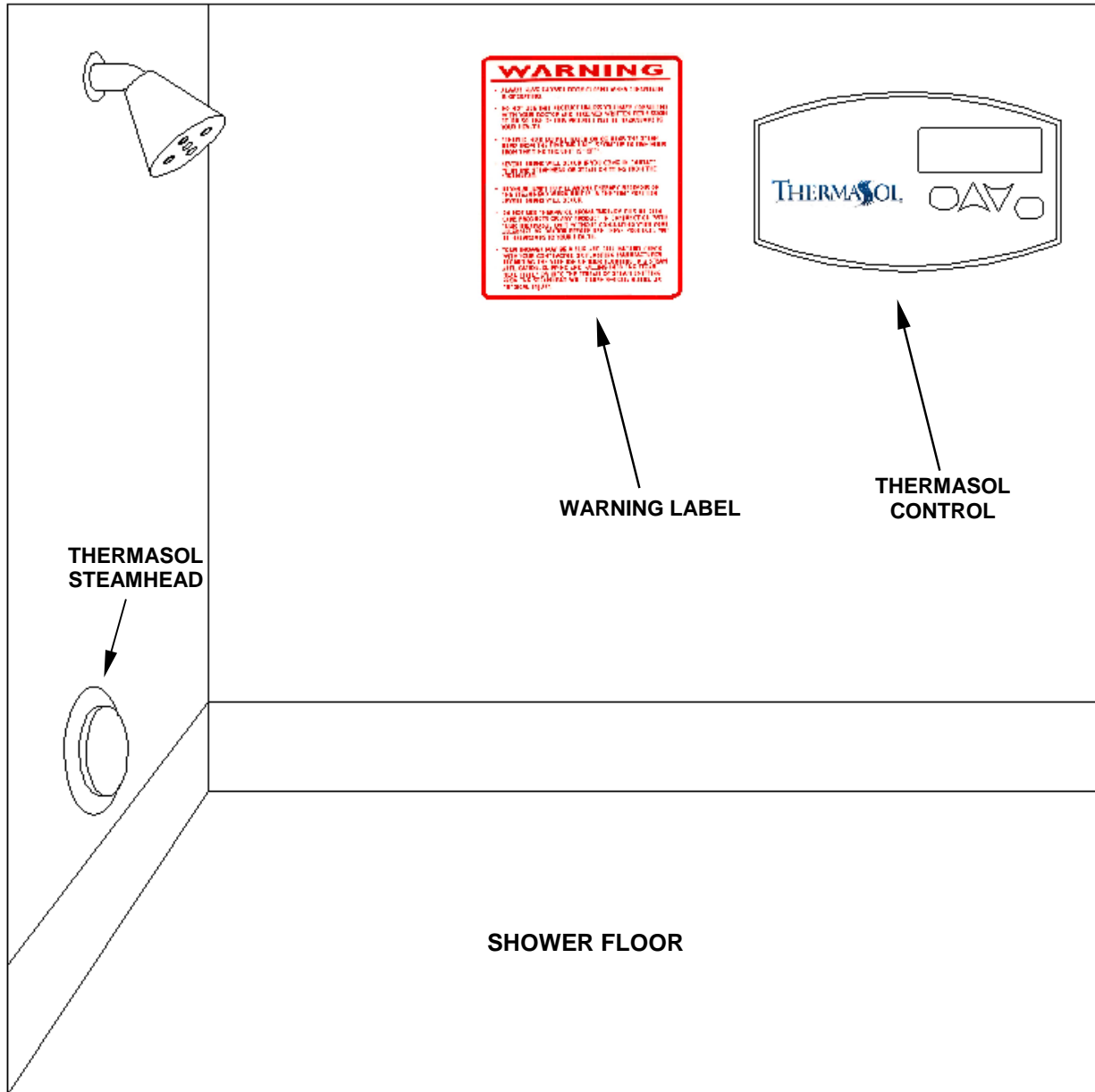
- DO NOT USE THIS PRODUCT UNLESS YOU HAVE CONSULTED YOUR DOCTOR AND RECEIVED WRITTEN PERMISSION TO DO SO. USE OF THIS PRODUCT MAY BE HAZARDOUS TO YOUR HEALTH.
- STEAM IS HOT! DO NOT TOUCH OR GO NEAR THE STEAMHEAD FROM THE TIME THE UNIT IS "ON", UP TO ONE HOUR FROM THE TIME THE UNIT IS OFF. SEVERE BURN WILL OCCUR IF YOU COME IN CONTACT WITH THE STEAMHEAD OR STEAM EMITTING FROM THE STEAMHEAD.
- NEVER ATTEMPT TO FILL AROMA THERAPY RESERVOIR ON THE STEAMHEAD WHEN UNIT IS IN THE "ON" POSITION. SEVERE BURNS WILL OCCUR.
- DO NOT USE THERMASOL AROMA THERAPY OILS OR SKIN CARE PRODUCTS OR ANY PRODUCT IN CONJUNCTION WITH YOUR THERMASOL UNIT WITHOUT CONSULTING WITH YOUR ALLERGIST OR DOCTOR BEFORE USE. THESE PRODUCTS MAY BE HAZARDOUS TO YOUR HEALTH.
- YOUR SHOWER MAY BE A SLIP AND FALL HAZARD CHECK WITH YOUR CONTRACTOR OR FLOORING MANUFACTURER REGARDING THE SAFE USE OF YOUR FLOORING IN A STEAM APPLICATION. SLIPPING AND FALLING INTO THE STEAMHEAD ITSELF OR INTO THE STREAM OF STEAM EMITTING FROM THE STEAMHEAD WILL CAUSE SERIOUS BURNS, OR PHYSICAL INJURY.
- DO NOT USE STEAM ROOM WHILE UNDER THE INFLUENCE OF ALCOHOL OR DRUGS, AS THIS CAN BE HAZARDOUS TO YOUR HEALTH.
- IF YOU ARE FEELING UNCOMFORTABLE, DIZZY, FAINT, OR STARTING TO FALL ASLEEP IMMEDIATELY EXIT THE STEAM ROOM.
- DO NOT USE STEAM ROOM IF YOU ARE UNDER THE AGE OF 16 UNLESS SUPERVISED BY AN ADULT.

**Note:** Before contacting Customer Service for Technical Support, please have the model number, serial number and date code (located on a circle to the lower right of the serial number), include all numbers and letters.

**Headquarters & Technical Support**  
2255 Union Place, Simi Valley, CA 93065 – (800) 776-0711  
Mon – Thur 7:00 – 5:00, Fri 8:00 – 12:00 PST

[www.thermasol.com](http://www.thermasol.com)

# **\*\* NOTICE \*\***



**YOU MUST ATTACH THIS USER  
WARNING LABEL IN THE SHOWER  
NEXT TO THE CONTROL UPON  
COMPLETION OF INSTALLATION**

# Generator Installation Instructions

## Parts Enclosed

- NoTouch Steamhead housing
- Steam generator
- 50 foot control cord
- Test kit with Instructions
- Installation Instructions
- Warranty card
- User Warning Label

All ThermaSol steam generators are designed to build NO PRESSURE during operation. This is for your safety.

**Note:** Failure to follow installation instructions specifically will cause the warranty to be void.

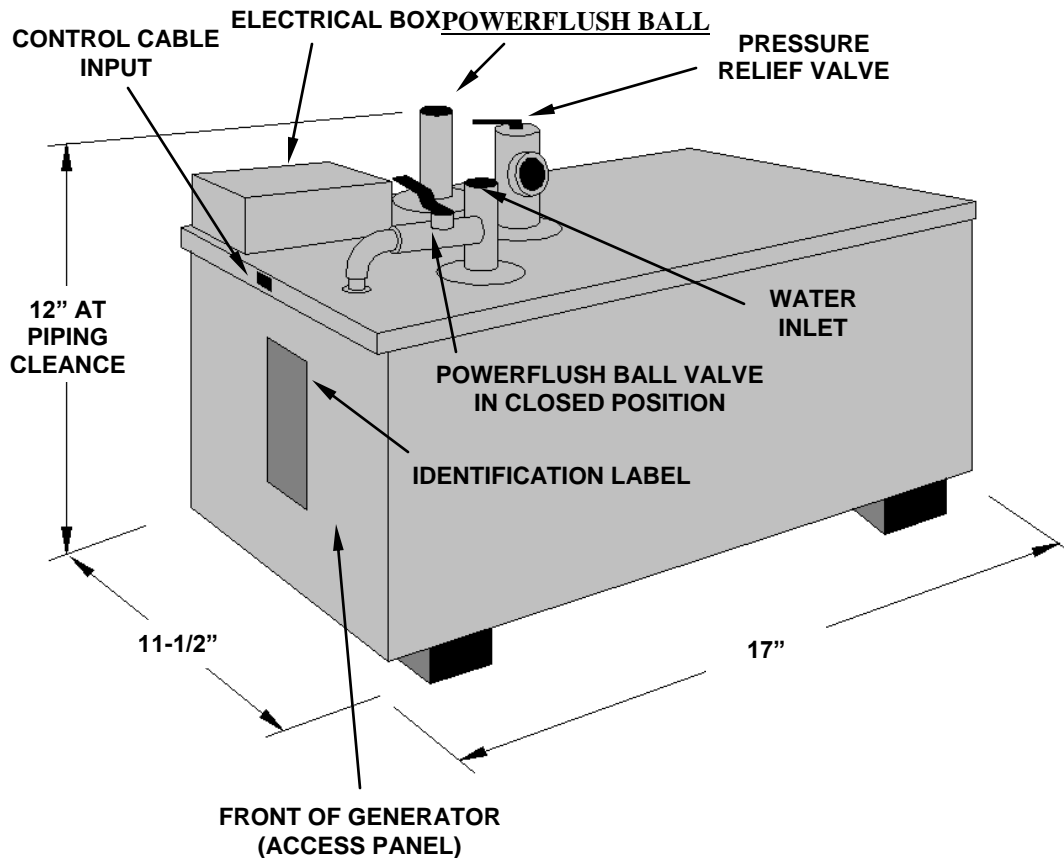


Figure 1

**Note:** The generator must be mounted level with all connections on top.

## **Generator Installation Instructions (con't)**

### **Materials Needed**

- Brass ball valve (for water supply shut off)
- Pipe compound
- Copper or brass fittings & nipples (sizes and quantities per instructions)
- In-line water filter (recommended)
- 3/8" brass or copper union
- 1/2" brass or copper union
- Wire (sizes and quantities per instructions)
- Copper tubing or pipe
- Wire cap nuts
- Flex conduit
- Silicone
- Other materials as required

### **Tools Needed**

- Pipe wrench
- Tubing cutter
- Wire cutters or wire strippers
- Adjustable wrench
- Screwdrivers (phillips & regular)
- Solder & Flux
- 1-1/16" masonry drill bit
- 2-1/2" hole saw for NoTouch Steamhead
- Drill motor
- Propane torch
- Other tools as required

**Note: ThermaSol steam bath generators are for indoor use only. They should never be located outside the home.**

**Note: ThermaSol steam bath generators are NOT designed to be used for space heating purposes.**

**Warning: Please consult your physician before using. If you are pregnant, elderly, have high blood pressure, diabetes, suffering from heart disease, intoxicated, or not in good health, do not use this steam bath.**

# **CONSUMER WARNING**

## **WARNING**

**DO NOT USE THIS PRODUCT UNLESS YOU HAVE CONSULTED WITH YOUR DOCTOR AND RECEIVED WRITTEN PERMISSION TO DO SO. USE OF THIS PRODUCT MAY BE HAZARDOUS TO YOUR HEALTH.**

## **WARNING**

**NEVER ATTEMPT TO FILL AROMA RESERVOIR ON THE STEAMHEAD WHEN UNIT IS IN THE ON POSITION. SEVERE BURNS WILL OCCUR.**

## **WARNING**

**DO NOT USE THERMASOL AROMA THERAPY OILS OR SKIN CARE PRODUCTS OR ANY PRODUCT IN CONJUNCTION WITH YOUR THERMASOL UNIT WITHOUT CONSULTING WITH YOUR ALLERGIST OR DOCTOR BEFORE USE. THESE PRODUCTS MAY BE HAZARDOUS TO YOUR HEALTH.**

## **WARNING**

**YOUR SHOWER MAY BE A SLIP AND FALL HAZARD CHECK WITH YOUR CONTRACTOR OR FLOORING MANUFACTURER REGARDING THE SAFE USE OF YOUR FLOORING IN A STEAM APPLICATION. SLIPPING AND FALLING INTO THE STEAMHEAD ITSELF OR INTO THE STREAM OF STEAM EMITTING FROM THE STEAMHEAD WILL CAUSE SERIOUS BURNS, OR PHYSICAL INJURY.**

## **WARNING**

**STEAM IS HOT! DO NOT TOUCH OR GO NEAR THE STEAMHEAD FROM THE TIME THE UNIT IS "ON", UP TO ONE HOUR AFTER IT HAS SHUT OFF. SEVERE BURN WILL OCCUR IF YOU COME IN CONTACT WITH THE STEAMHEAD OR STEAM EMITTING FROM THE STEAMHEAD.**

## **WARNING**

**DO NOT USE STEAM ROOM WHILE UNDER THE INFLUENCE OF ALCOHOL OR DRUGS, AS THIS CAN BE HAZARDOUS TO YOUR HEALTH.**

## **WARNING**

**IF YOU ARE FEELING UNCOMFORTABLE, DIZZY, FAINT, OR STARTING TO FALL ASLEEP IMMEDIATELY EXIT THE STEAM ROOM.**

## **WARNING**

**DO NOT USE STEAM ROOM IF YOU ARE UNDER THE AGE OF 16 UNLESS SUPERVISED BY AN ADULT.**

## Requirements For Proper Installation

1. Ensure the steam room to be used is vapor proof. It should have a vapor proof door that seals well so the steam does not escape. Make sure the walls, ceiling and floor materials are suitable for use with steam and hot condensation, the steam produces.
2. Unit may be installed up to 50 feet away from steam room in a dry well ventilated area.
3. Use copper or brass fittings only (**NEVER USE GALVANIZED FITTINGS**).
4. The water inlet uses 3/8" NPT and steam outlet uses 1/2" NPT for easy installation.
5. The generator must be upright, accessible and on a level surface with all connections on top. Access panel and powerflush valve must be unobstructed and allow for easy access (see Figure 1).
6. Place a drain/spill pan under the unit. Plumb the connection on it to an approved drain.
7. Connect a tee to the cold water line. Install copper pipe to the tee (see Figure 3).
8. Install a brass shut-off valve on the water inlet line in an accessible area prior to the brass union and recommended in-line water filter.
9. Before making the last connection to the 3/8" NPT, flush the water line into a five-gallon pail to remove any silt or other materials that may be in the line.
10. Make the final connection and turn on water. All ThermaSol generators are equipped with an automatic water fill system. The water will stop after unit is filled.
11. The steam line can run up, down, or horizontal; **but cannot run down and then up**. If it does, a steam trap will be produced at the low point blocking the flow of steam. **Do not** plumb a trap in the steam line. Insulate the steam outlet piping if the piping run exceeds 10 feet or is exposed to cold areas. **Note: Use steam rated insulation.**
12. **Do not** plumb the pressure relief valve into the steam line. **Plumbing the pressure relief valve into the steam line can be hazardous, should the steam outlet be capped off or obstructed.**
13. Pitch/angle steam line back towards generator and avoid perfectly level plumbed lines.
14. Make sure water is turned on before operating the unit.

**Note: Failure to follow installation instructions specifically will cause the warranty to be void.**

## Sizing Your Steam Room

### **Factory Sized: L x W x H = Cubic Feet**

Then choose the appropriate Model. No complicated formulas. It's that simple. For every foot of ceiling height over 8 ft. (always round up) use the next larger steam unit. Wall material irrelevant.

Generator Model	Factory Sized Cu Ft MAX	K W
SS-Acrylic	Acrylic Insert	3.5
SS-84	84	6.0
SS-140	140	8.0
SS-240	240	10
SS-395	395	12
SS-600	500	15

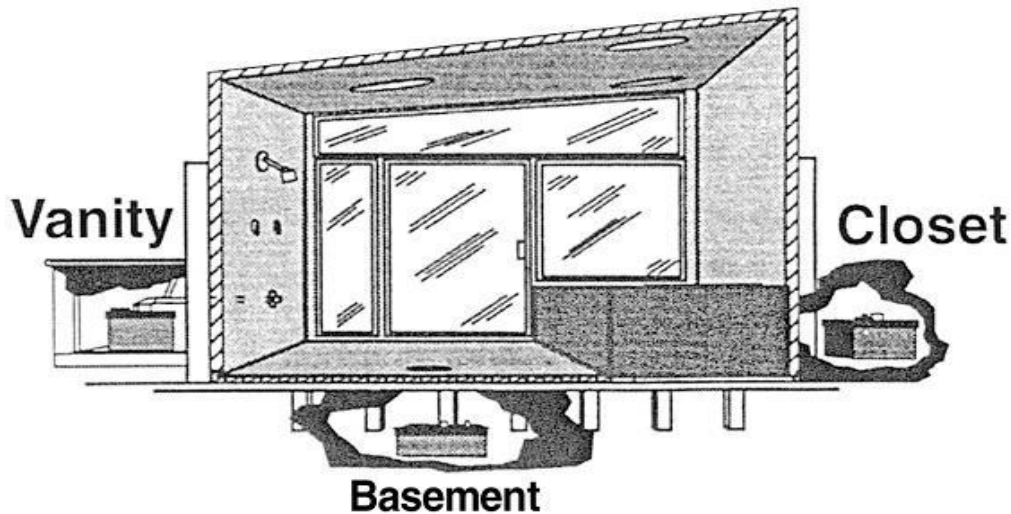
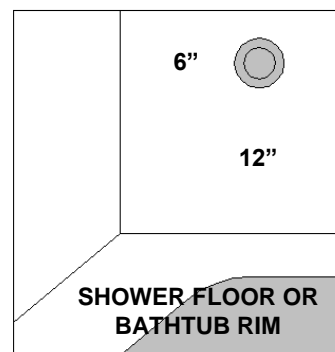
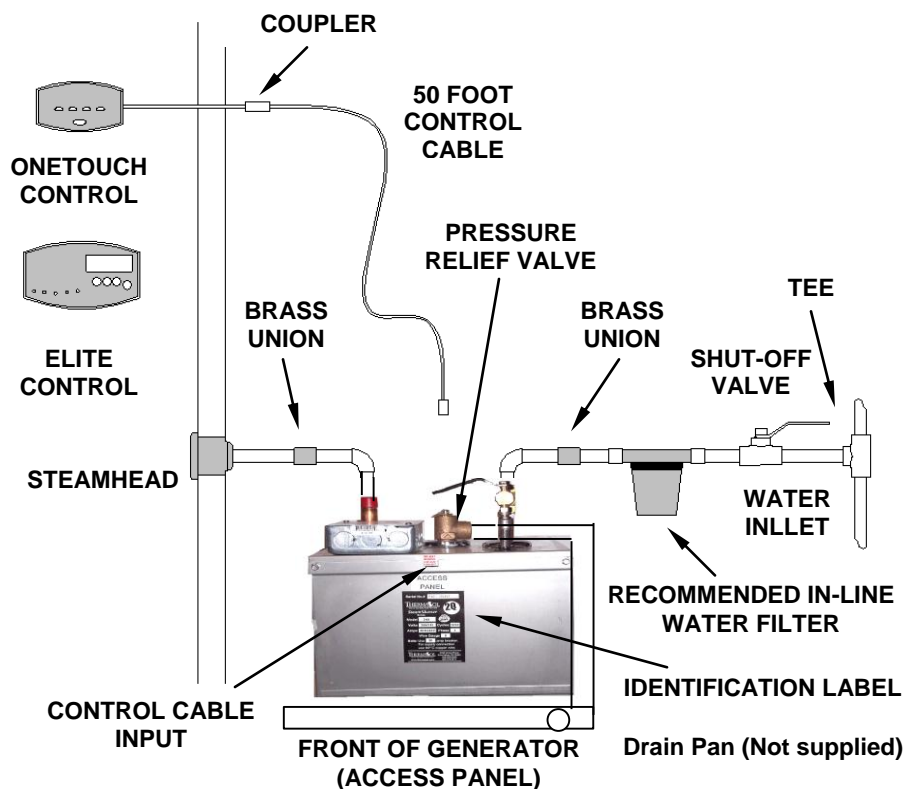


Figure 2

Various options for the ThermaSol steam bath generator location.

Important: **MAXIMUM** WATER PRESSURE not to exceed 70 P.S.I.

**Warning: The Steamhead is HOT! Do not install Steamhead near a seat or bench hot steam will burn you. Keep at least 12-14 inches away from hot steam exiting the Steamhead.**



**!!!! IMPORTANT !!!!**

**LOCATE THE STEAMHEAD 12" OFF THE SHOWER FLOOR OR BATHTUB RIM AND 6" FROM ANY CORNER. STEAMHEAD IS TO BE MOUNTED FAR AS POSSIBLE FROM TYPICAL BATHING POSITION (SEATED OR STANDING) AND AS FAR FROM CONTROL AS POSSIBLE WHILE MAINTAINING A 60" CONTROL HEIGHT.**

Figure 3

**Note: The generator must be mounted level with all connections on top.**

# **CONSUMER WARNING**

## **WARNING**

**DO NOT USE THIS PRODUCT UNLESS YOU HAVE CONSULTED WITH YOUR DOCTOR AND RECEIVED WRITTEN PERMISSION TO DO SO. USE OF THIS PRODUCT MAY BE HAZARDOUS TO YOUR HEALTH.**

## **WARNING**

**NEVER ATTEMPT TO FILL AROMA RESERVOIR ON THE STEAMHEAD WHEN UNIT IS IN THE ON POSITION. SEVERE BURNS WILL OCCUR.**

## **WARNING**

**DO NOT USE THERMASOL AROMA THERAPY OILS OR SKIN CARE PRODUCTS OR ANY PRODUCT IN CONJUNCTION WITH YOUR THERMASOL UNIT WITHOUT CONSULTING WITH YOUR ALLERGIST OR DOCTOR BEFORE USE. THESE PRODUCTS MAY BE HAZARDOUS TO YOUR HEALTH.**

## **WARNING**

**YOUR SHOWER MAY BE A SLIP AND FALL HAZARD CHECK WITH YOUR CONTRACTOR OR FLOORING MANUFACTURER REGARDING THE SAFE USE OF YOUR FLOORING IN A STEAM APPLICATION. SLIPPING AND FALLING INTO THE STEAMHEAD ITSELF OR INTO THE STREAM OF STEAM EMITTING FROM THE STEAMHEAD WILL CAUSE SERIOUS BURNS, OR PHYSICAL INJURY.**

## **WARNING**

**STEAM IS HOT! DO NOT TOUCH OR GO NEAR THE STEAMHEAD FROM THE TIME THE UNIT IS "ON", UP TO ONE HOUR AFTER IT HAS SHUT OFF. SEVERE BURN WILL OCCUR IF YOU COME IN CONTACT WITH THE STEAMHEAD OR STEAM EMITTING FROM THE STEAMHEAD.**

## **WARNING**

**DO NOT USE STEAM ROOM WHILE UNDER THE INFLUENCE OF ALCOHOL OR DRUGS, AS THIS CAN BE HAZARDOUS TO YOUR HEALTH.**

## **WARNING**

**IF YOU ARE FEELING UNCOMFORTABLE, DIZZY, FAINT, OR STARTING TO FALL ASLEEP IMMEDIATELY EXIT THE STEAM ROOM.**

## **WARNING**

**DO NOT USE STEAM ROOM IF YOU ARE UNDER THE AGE OF 16 UNLESS SUPERVISED BY AN ADULT.**



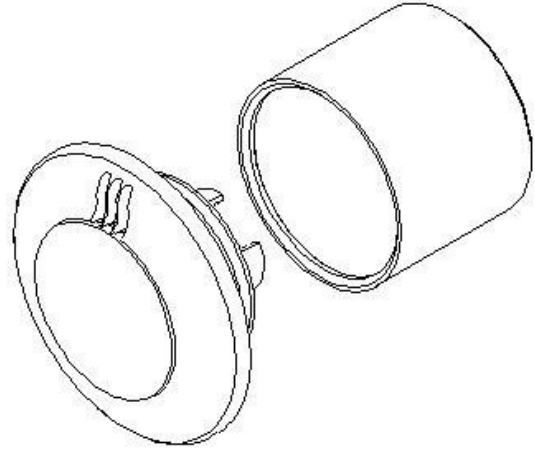
# NoTouch Steamhead Installation

## Parts Enclosed

- NoTouch Steamhead housing (included w/generator)

## Material Needed

- Clear silicone
- 1/2" drop elbow
- ThermaSol NoTouch Steamhead (in desired finish)
- Other materials as required



## Tools Needed

- 1" deep socket and ratchet
- 2-1/2" hole cutting tool
- Other tools as required

1. Drill a 2-1/2" diameter hole in the shower wall or wall above the bathtub rim for the steam outlet line (see Figure 4).

**CAUTION: The Steamhead is hot and should not be located near a seat or bench! We recommend locating the Steamhead on the fixture wall.**

**\*\* Ensure that all Plumbing is Firmly Secured. \*\***

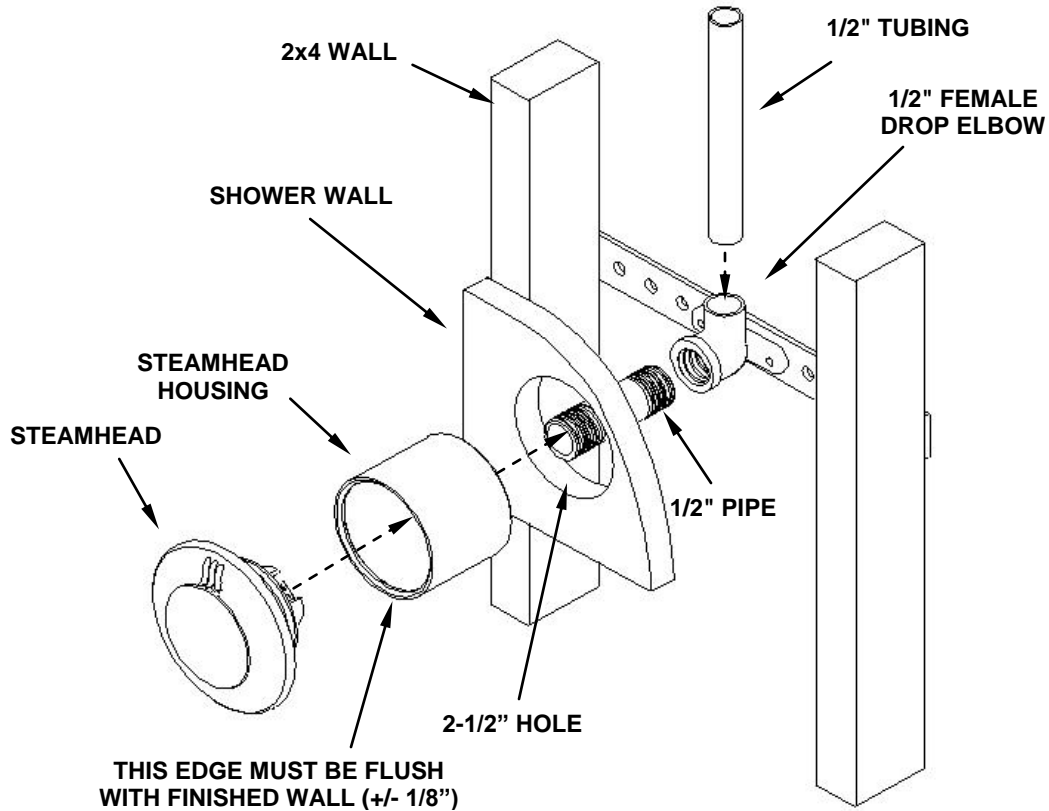


Figure 4

2. Connect a 1/2" NPT brass pipe or tubing to the steam outlet on the generator running the pipe to the 2-1/2" diameter hole in wall to connect with the Steamhead housing. Use Figure 4 as a guide. **It is very important that the pipe is firmly secured to the wall, so that when the Steamhead is installed it doesn't push the housing back into the wall. The steam line can run up, down, or horizontal; but cannot run down and then up.** If it does, a steam trap may be produced at the low point blocking the flow of steam. Install a 1/2" drop elbow on the end of the 1/2" pipe or tubing for the Steamhead housing. For all the connections, use Teflon tape/solder and do not over tighten fittings. **DO NOT USE PVC CEMENT.**
  
3. Final Installation when installing the Steamhead into the housing be sure that the aromatherapy fill channels are facing upwards see Figure 5. To ensure that no moisture gets behind the Steamhead and into the wall, place a generous bead of waterproof silicone around the Steamhead, use the machined groove (located on the back of the Steamhead) as a guide. Be sure that within the housing there isn't any debris, and the two O-rings are in place on the Steamhead. Slide the Steamhead into the housing until the Steamhead is tight against the finished wall. You may need to wipe away any excess silicone. Use Figure 5 as a reference to these steps.

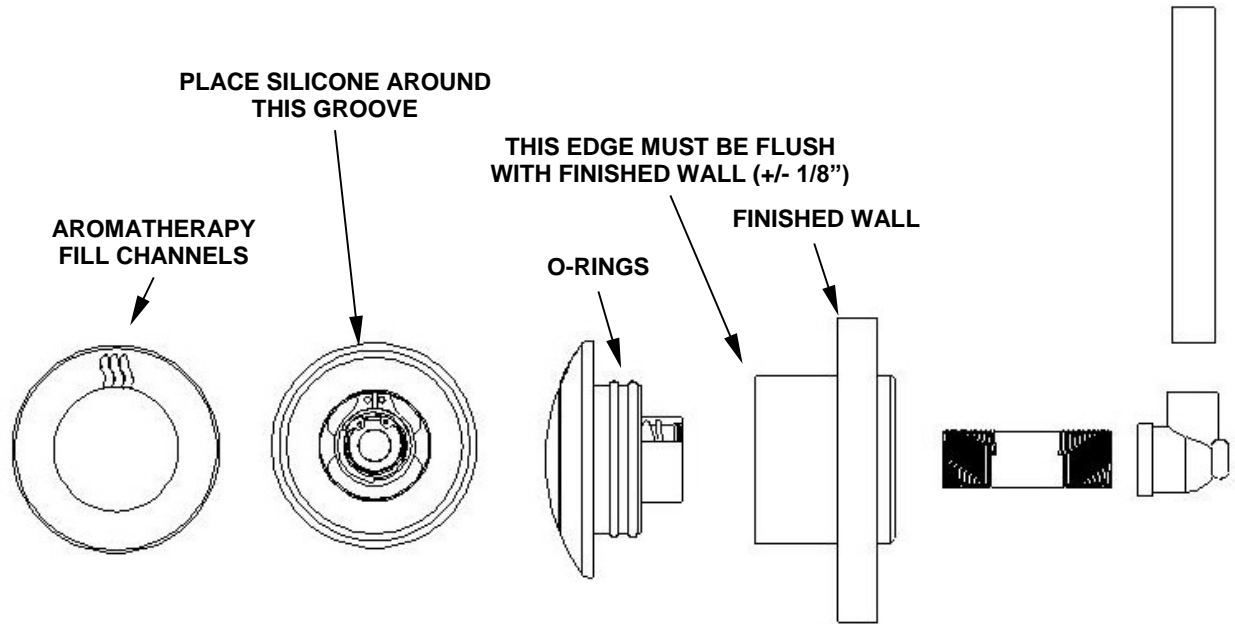


Figure 5

**Warning: Avoid contact with Steamhead! It will burn you! Avoid direct contact with the steam coming out of the Steamhead! It is extremely hot and will burn you! Never put Aroma oil in the Steamhead when the unit is in the on position, or when steam is emitting from the Steamhead.**

# **CONSUMER WARNING**

## **WARNING**

**DO NOT USE THIS PRODUCT UNLESS YOU HAVE CONSULTED WITH YOUR DOCTOR AND RECEIVED WRITTEN PERMISSION TO DO SO. USE OF THIS PRODUCT MAY BE HAZARDOUS TO YOUR HEALTH.**

## **WARNING**

**NEVER ATTEMPT TO FILL AROMA RESERVOIR ON THE STEAMHEAD WHEN UNIT IS IN THE ON POSITION. SEVERE BURNS WILL OCCUR.**

## **WARNING**

**DO NOT USE THERMASOL AROMA THERAPY OILS OR SKIN CARE PRODUCTS OR ANY PRODUCT IN CONJUNCTION WITH YOUR THERMASOL UNIT WITHOUT CONSULTING WITH YOUR ALLERGIST OR DOCTOR BEFORE USE. THESE PRODUCTS MAY BE HAZARDOUS TO YOUR HEALTH.**

## **WARNING**

**YOUR SHOWER MAY BE A SLIP AND FALL HAZARD CHECK WITH YOUR CONTRACTOR OR FLOORING MANUFACTURER REGARDING THE SAFE USE OF YOUR FLOORING IN A STEAM APPLICATION. SLIPPING AND FALLING INTO THE STEAMHEAD ITSELF OR INTO THE STREAM OF STEAM EMITTING FROM THE STEAMHEAD WILL CAUSE SERIOUS BURNS, OR PHYSICAL INJURY.**

## **WARNING**

**STEAM IS HOT! DO NOT TOUCH OR GO NEAR THE STEAMHEAD FROM THE TIME THE UNIT IS "ON", UP TO ONE HOUR AFTER IT HAS SHUT OFF. SEVERE BURN WILL OCCUR IF YOU COME IN CONTACT WITH THE STEAMHEAD OR STEAM EMITTING FROM THE STEAMHEAD.**

## **WARNING**

**DO NOT USE STEAM ROOM WHILE UNDER THE INFLUENCE OF ALCOHOL OR DRUGS, AS THIS CAN BE HAZARDOUS TO YOUR HEALTH.**

## **WARNING**

**IF YOU ARE FEELING UNCOMFORTABLE, DIZZY, FAINT, OR STARTING TO FALL ASLEEP IMMEDIATELY EXIT THE STEAM ROOM.**

## **WARNING**

**DO NOT USE STEAM ROOM IF YOU ARE UNDER THE AGE OF 16 UNLESS SUPERVISED BY AN ADULT.**

# Electrical Installation

**Note: All electrical wiring must be done per National/Local Electrical Codes.**

**\*\* ThermaSol requires that a licensed electrician perform all electrical work. \*\***

**Note: USE COPPER WIRE ONLY.**

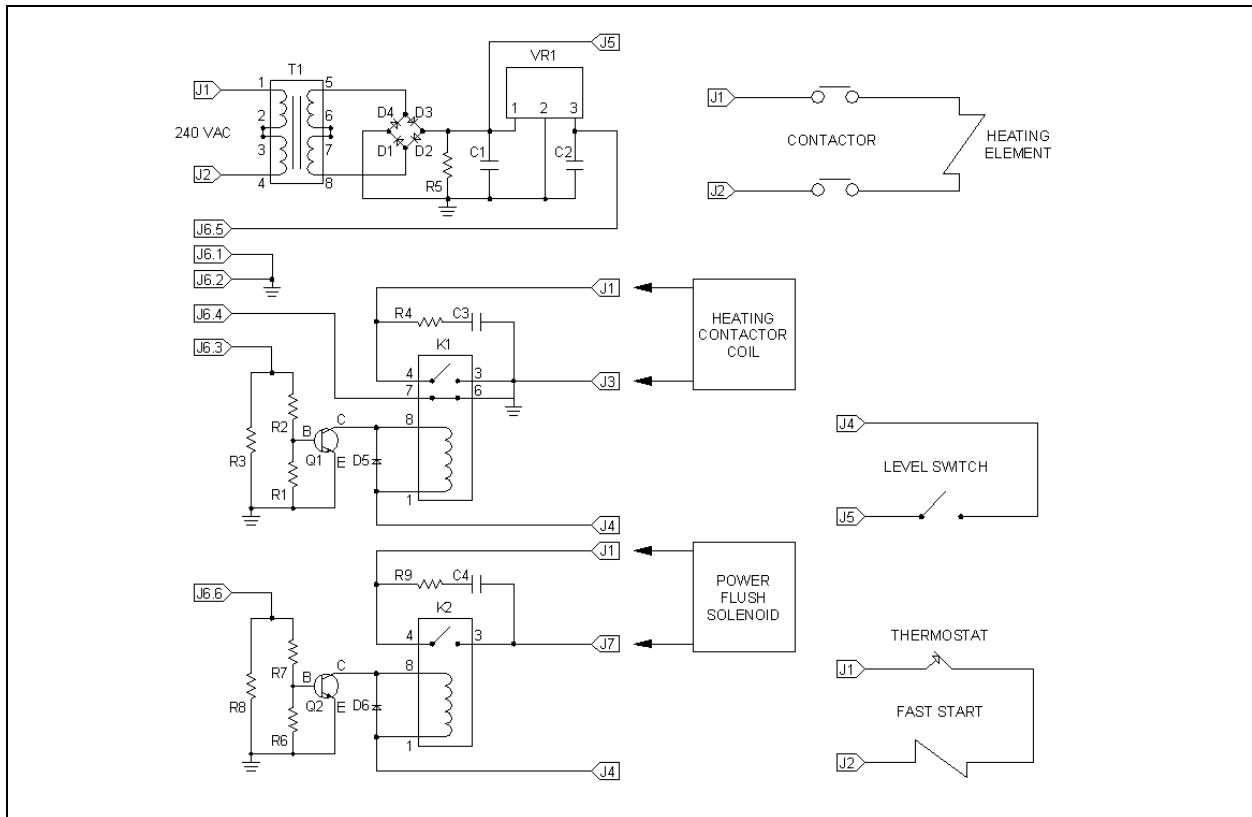
Wire sizes recommended by NEC (2002 Version). Minimum wire temperature rating 90°C. Type THHN.

Generator Model	Phase	Wire Gauge	Breaker Size	Factory Sized Cu Ft MAX	AMP draw @ 240-VAC	K W
SS-Acrylic	1	8	20	Acrylic Insert	17	3.5
SS-84	1	8	30	84	28	6.0
SS-140	1	8	40	140	37	8.0
SS-240	1	8	50	240	46	10
SS-395	1	6	60	395	55	12
SS-600	1	4	80	500	69	15

Electrical Questions? 800-776-0711 for Technical Support

**Warning: Each generator should be wired to their own separate breaker.**

1. Turn off all electricity to the working area at the main breaker panel!
2. Connect 240-VAC electrical lines to wires labeled 1 & 2 located in the electrical box on generator, (refer to Figure 6).



**Figure 6**

**Wiring diagram**

# **CONSUMER WARNING**

## **WARNING**

**DO NOT USE THIS PRODUCT UNLESS YOU HAVE CONSULTED WITH YOUR DOCTOR AND RECEIVED WRITTEN PERMISSION TO DO SO. USE OF THIS PRODUCT MAY BE HAZARDOUS TO YOUR HEALTH.**

## **WARNING**

**NEVER ATTEMPT TO FILL AROMA RESERVOIR ON THE STEAMHEAD WHEN UNIT IS IN THE ON POSITION. SEVERE BURNS WILL OCCUR.**

## **WARNING**

**DO NOT USE THERMASOL AROMA THERAPY OILS OR SKIN CARE PRODUCTS OR ANY PRODUCT IN CONJUNCTION WITH YOUR THERMASOL UNIT WITHOUT CONSULTING WITH YOUR ALLERGIST OR DOCTOR BEFORE USE. THESE PRODUCTS MAY BE HAZARDOUS TO YOUR HEALTH.**

## **WARNING**

**YOUR SHOWER MAY BE A SLIP AND FALL HAZARD CHECK WITH YOUR CONTRACTOR OR FLOORING MANUFACTURER REGARDING THE SAFE USE OF YOUR FLOORING IN A STEAM APPLICATION. SLIPPING AND FALLING INTO THE STEAMHEAD ITSELF OR INTO THE STREAM OF STEAM EMITTING FROM THE STEAMHEAD WILL CAUSE SERIOUS BURNS, OR PHYSICAL INJURY.**

## **WARNING**

**STEAM IS HOT! DO NOT TOUCH OR GO NEAR THE STEAMHEAD FROM THE TIME THE UNIT IS "ON", UP TO ONE HOUR AFTER IT HAS SHUT OFF. SEVERE BURN WILL OCCUR IF YOU COME IN CONTACT WITH THE STEAMHEAD OR STEAM EMITTING FROM THE STEAMHEAD.**

## **WARNING**

**DO NOT USE STEAM ROOM WHILE UNDER THE INFLUENCE OF ALCOHOL OR DRUGS, AS THIS CAN BE HAZARDOUS TO YOUR HEALTH.**

## **WARNING**

**IF YOU ARE FEELING UNCOMFORTABLE, DIZZY, FAINT, OR STARTING TO FALL ASLEEP IMMEDIATELY EXIT THE STEAM ROOM.**

## **WARNING**

**DO NOT USE STEAM ROOM IF YOU ARE UNDER THE AGE OF 16 UNLESS SUPERVISED BY AN ADULT.**

## OneTouch Or Elite Control Installation Instructions

**Warning: Power to the generator must be off prior to connecting any control.**

1. The **OneTouch** digital control (shown in Figure 7) can be located inside or outside the enclosure.
2. The **Elite** control (shown in Figure 8) **MUST** be located **INSIDE** the enclosure.
3. Position the control 4 to 6 feet from the floor. Drill a 1-1/16" diameter hole into the wall.

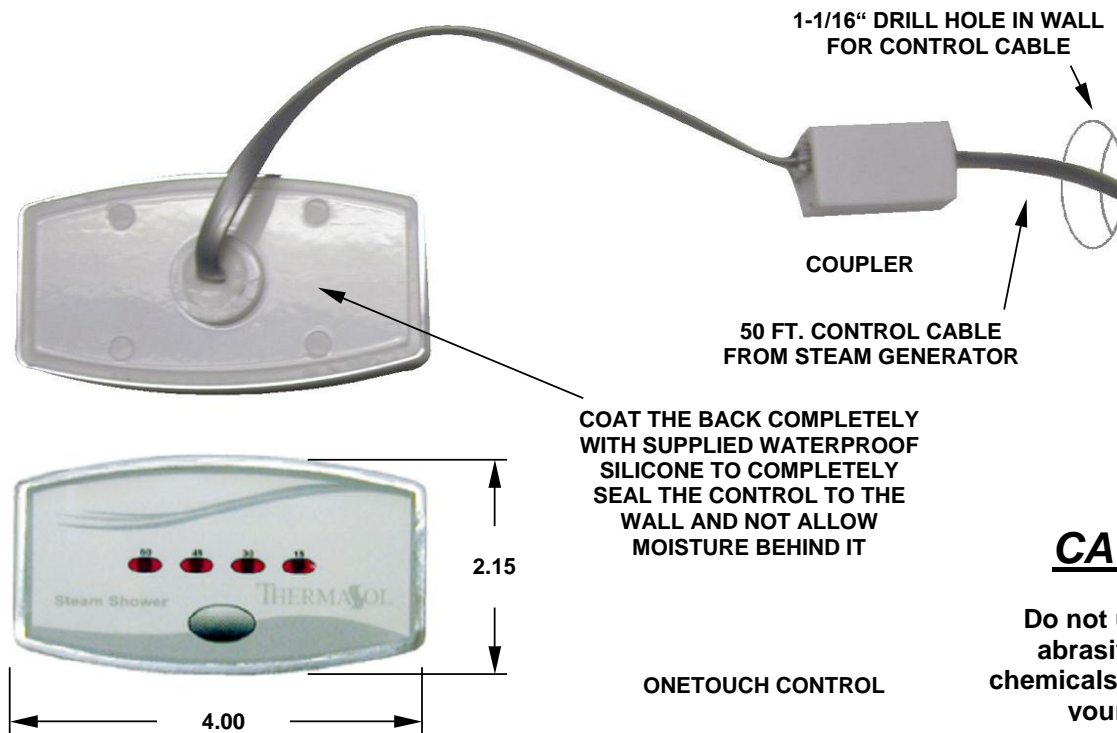


Figure 7

4. Bring the control cable(s) from the generator through the 1-1/16" diameter hole. Plug the modular connector of the control into one end of the coupler. Plug the control cable(s) from the generator into the other end of the coupler. **Route the cable so that the coupler is located ABOVE the hole in the wall. DO NOT pinch, nail, staple, wedge etc. the cable. DO NOT wrap the cable around steam line or otherwise route it in such a manner that the hot steam line could melt the cable. Any damage to the control cable will result in the control not working properly.**
5. For OneTouch/Elite combination connect supplied phone jack splitter to the steam generator, refer back to Figure 1.
6. Carefully connect the other end of the control cable to the generator **BEFORE** turning power on to the generator.
7. Turn on both water and power to the generator.
8. Test the touch pad to ensure it is properly connected. If any technical problems arise, call toll-free 800-776-0711.

9. **THESE STEPS MUST BE TAKEN OR YOUR WARRANTY WILL BE VOID.** Coat the entire control back with supplied waterproof silicon. Completely seal the control to the wall so moisture does not get behind it. Place the control on the wall pressing firmly. You may need to tape the control into place until the silicone dries. Be careful not to harm the wall/control with the tape. **Let dry for 24 hours before using steam bath.**
10. Refer to operation instructions for control functions.

**Note: Failure to follow installation instructions specifically will cause the warranty to be void.**

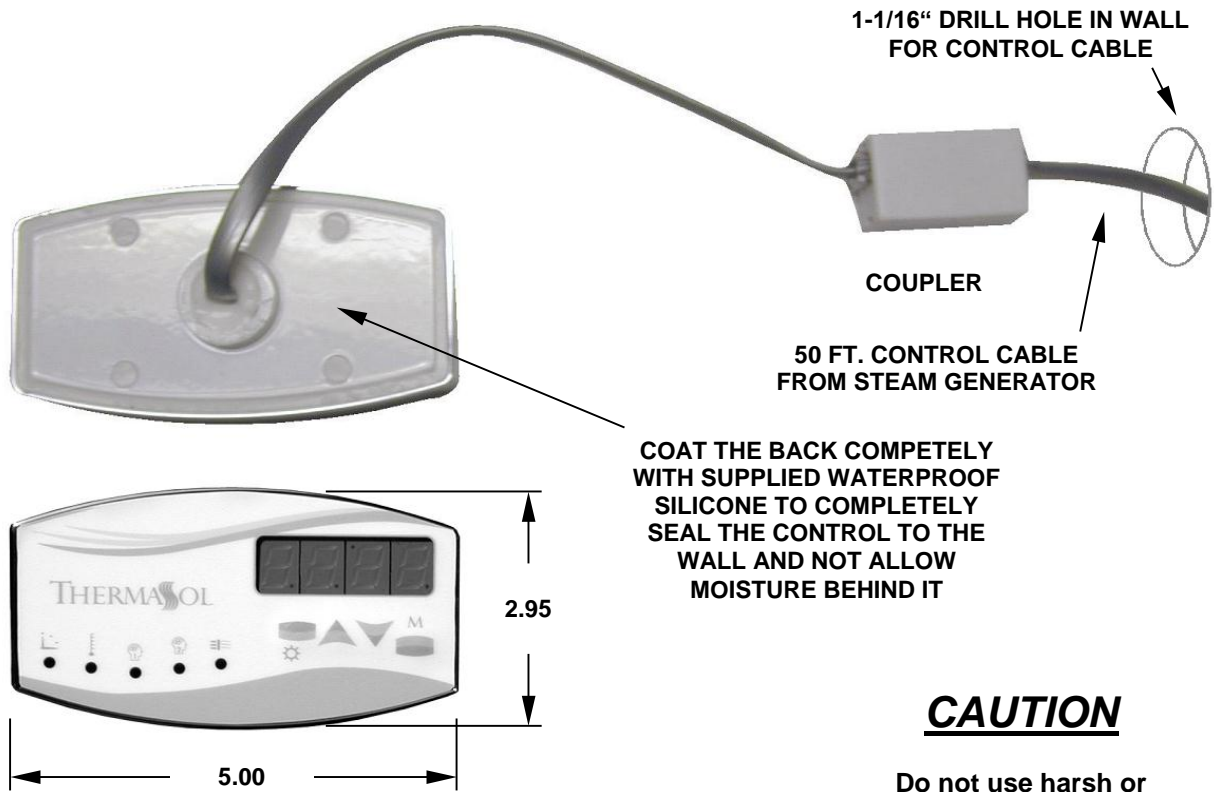


Figure 8

## OneTouch/Elite Combination Operation Instructions



Note: Actual remote graphics may differ.

**Warning: Please consult your physician before using. If you are pregnant, elderly, have high blood pressure, diabetes, suffering from heart disease, intoxicated, or not in good health, do not use this steam bath.**

1. The Elite control functions will remain the same but the **OneTouch acts ONLY as an on/off switch**. Refer to the Elite operation instructions, which are included with the control.
2. When the OneTouch is turned on, it sends a signal to the Elite turning it on and loading the last time and temperature settings.
3. When the Elite is turned on, it will operate like normal but will send a signal to the OneTouch turning it on and display the current time setting.

### Powerflushing Your Steam Generator

1. Power on the control and set the timer to 45 minutes. Open the powerflush ball valve located on top of the generator (refer to Figure 1) for 5-7 minutes, then close. Allow generator to finish the 45-minute session. See following document for more detail about powerflushing.

**\*\* ThermaSol recommends one powerflush cycle after every fifty uses. \*\***

**Warning: IT IS IMPORTANT THAT NO ONE BE INSIDE THE SHOWER ENCLOSURE DURING THE POWERFLUSH CLEANING CYCLE. IT IS ALSO IMPORTANT THAT THE ENCLOSURE DOOR BE CLOSED DURING THIS CYCLE.**

**Warning: Exit shower area once the powerflush is started, hot water from Steamhead can burn you. Keep the steam door on the enclosure closed during this cycle.**

#### **Headquarters & Technical Support**

2255 Union Place, Simi Valley, CA 93065 – (800) 776-0711  
Mon – Thur 7:00 – 5:00, Fri 8:00 – 12:00 PST

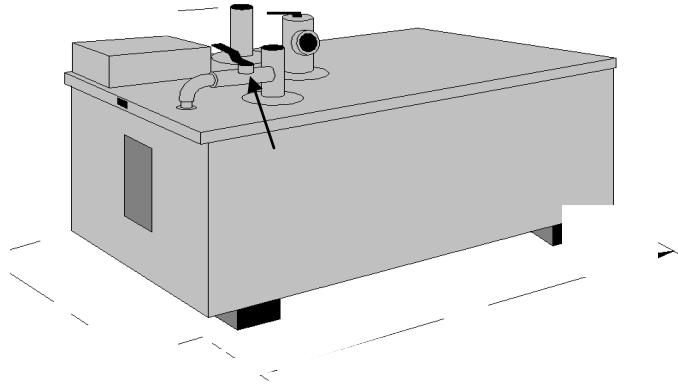
#### **Eastern Sales Office**

26 Industrial Avenue, Fairview, NJ 07022 – (800) 631-1601  
Mon – Thur 7:00 – 5:00, Fri 8:00 – 12:00 EST

[www.thermasol.com](http://www.thermasol.com)



## Maintaining your Steam Generator



### Manual Powerflush

**Warning:** Exit shower area once the powerflush is started as hot water from Steamhead can burn you. Keep the steam door on the enclosure closed during this cycle.

1. Power on the control and set the timer to 45 minutes.
2. Open the powerflush ball valve located on top of the generator for 5-7 minutes.
3. After 5-7 minutes close the powerflush ball valve.
4. Allow generator to finish the 45-minute session.

**\*\* ThermaSol recommends one powerflush cycle after every fifty uses or at least twice a year. \*\***

**Warning: IT IS IMPORTANT THAT NO ONE BE INSIDE THE SHOWER ENCLOSURE DURING THE POWERFLUSH CLEANING CYCLE. IT IS ALSO IMPORTANT THAT THE ENCLOSURE DOOR BE CLOSED DURING THIS CYCLE.**

# **CONSUMER WARNING**

## **WARNING**

**DO NOT USE THIS PRODUCT UNLESS YOU HAVE CONSULTED WITH YOUR DOCTOR AND RECEIVED WRITTEN PERMISSION TO DO SO. USE OF THIS PRODUCT MAY BE HAZARDOUS TO YOUR HEALTH.**

## **WARNING**

**NEVER ATTEMPT TO FILL AROMA RESERVOIR ON THE STEAMHEAD WHEN UNIT IS IN THE ON POSITION. SEVERE BURNS WILL OCCUR.**

## **WARNING**

**DO NOT USE THERMASOL AROMA THERAPY OILS OR SKIN CARE PRODUCTS OR ANY PRODUCT IN CONJUNCTION WITH YOUR THERMASOL UNIT WITHOUT CONSULTING WITH YOUR ALLERGIST OR DOCTOR BEFORE USE. THESE PRODUCTS MAY BE HAZARDOUS TO YOUR HEALTH.**

## **WARNING**

**YOUR SHOWER MAY BE A SLIP AND FALL HAZARD CHECK WITH YOUR CONTRACTOR OR FLOORING MANUFACTURER REGARDING THE SAFE USE OF YOUR FLOORING IN A STEAM APPLICATION. SLIPPING AND FALLING INTO THE STEAMHEAD ITSELF OR INTO THE STREAM OF STEAM EMITTING FROM THE STEAMHEAD WILL CAUSE SERIOUS BURNS, OR PHYSICAL INJURY.**

## **WARNING**

**STEAM IS HOT! DO NOT TOUCH OR GO NEAR THE STEAMHEAD FROM THE TIME THE UNIT IS "ON", UP TO ONE HOUR AFTER IT HAS SHUT OFF. SEVERE BURN WILL OCCUR IF YOU COME IN CONTACT WITH THE STEAMHEAD OR STEAM EMITTING FROM THE STEAMHEAD.**

## **WARNING**

**DO NOT USE STEAM ROOM WHILE UNDER THE INFLUENCE OF ALCOHOL OR DRUGS, AS THIS CAN BE HAZARDOUS TO YOUR HEALTH.**

## **WARNING**

**IF YOU ARE FEELING UNCOMFORTABLE, DIZZY, FAINT, OR STARTING TO FALL ASLEEP IMMEDIATELY EXIT THE STEAM ROOM.**

## **WARNING**

**DO NOT USE STEAM ROOM IF YOU ARE UNDER THE AGE OF 16 UNLESS SUPERVISED BY AN ADULT.**