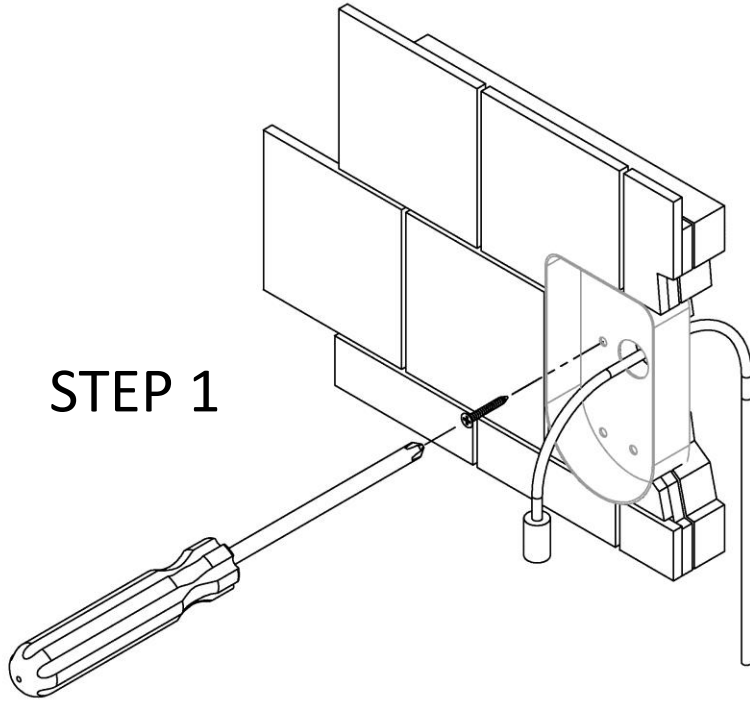


MUD RING INSTALLATION

FOR RECESSED MODERN CONTROLS ONLY

P/N SEMR-XX (XX- DENOTES FINISH)

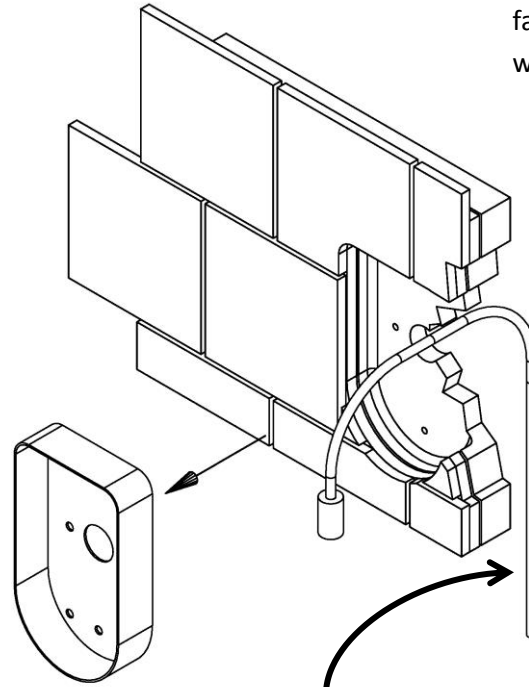
STEP 1



BEFORE TILE -Using the supplied mud ring attach to wall face using a few standard screws. Then tile to the edge of mud ring.

STEP 2

Once finished tile is completed remove mud ring from wall. Ensure that a total minimum depth is 5/8" so control face sits flush to wall. Connect cable so it is not lost in wall. Test fit for flushness.



DATA CABLE

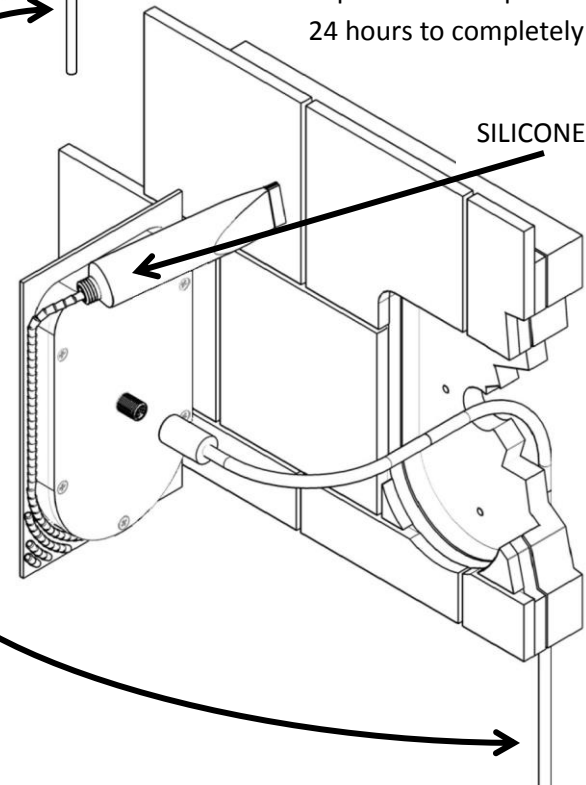
IMPORTANT NOTE:

Fully test the control system prior to silicone

Once desired fit is achieved coat back of control face with supplied silicone. Firmly press to wall surface and wipe excess silicone from around control. Tape into LEVEL position and allow 24 hours to completely dry.

SILICONE (INCLUDED)

STEP 3



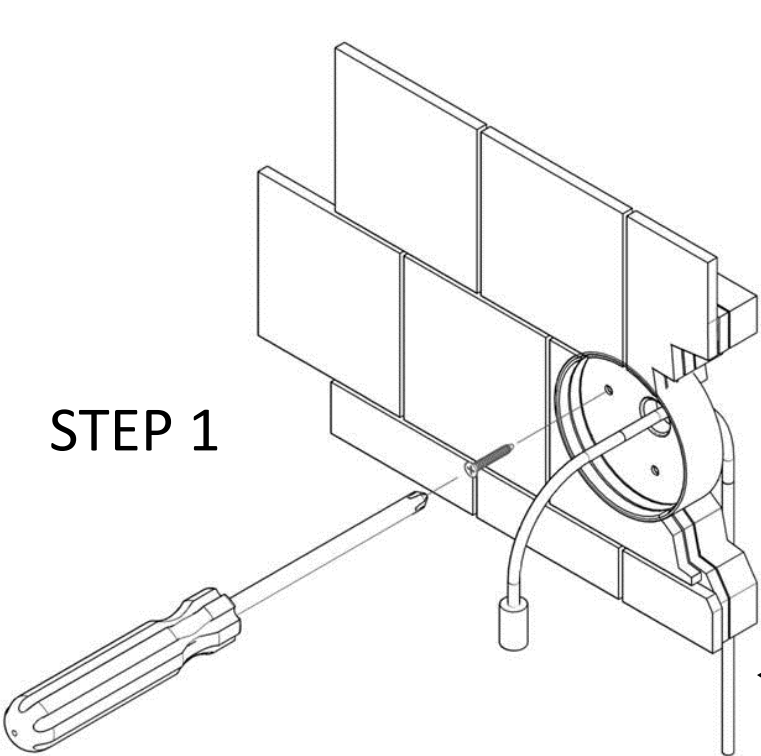
IMPORTANT! READ INSTALLATION AND PRODUCT GUIDE P/N 81127
81132R Rev B 10/14 JWJ

MUD RING INSTALLATION

FOR RECESSED MODERN CONTROLS ONLY

TPMR-XX (XX- DENOTES FINISH)

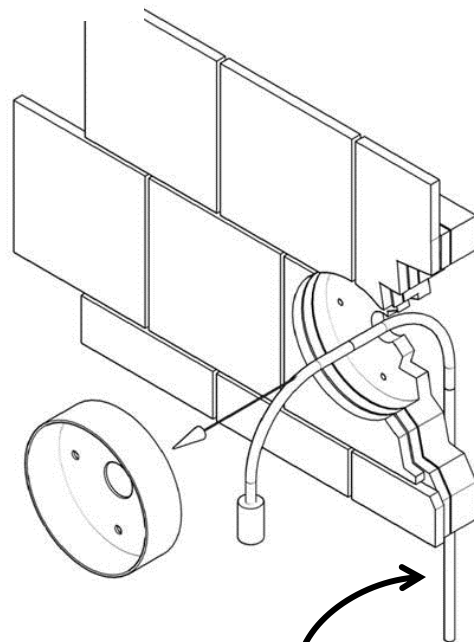
STEP 1



BEFORE TILE -Using the supplied mud ring attach to wall face using a few standard screws. Tile to edge of mud ring.

STEP 2

Once finished tile is completed remove mud ring from wall. Ensure that a total minimum depth is 5/8" so control face sits flush to wall. Connect cable so it is not lost in wall. Test fit for flushness.



DATA CABLE

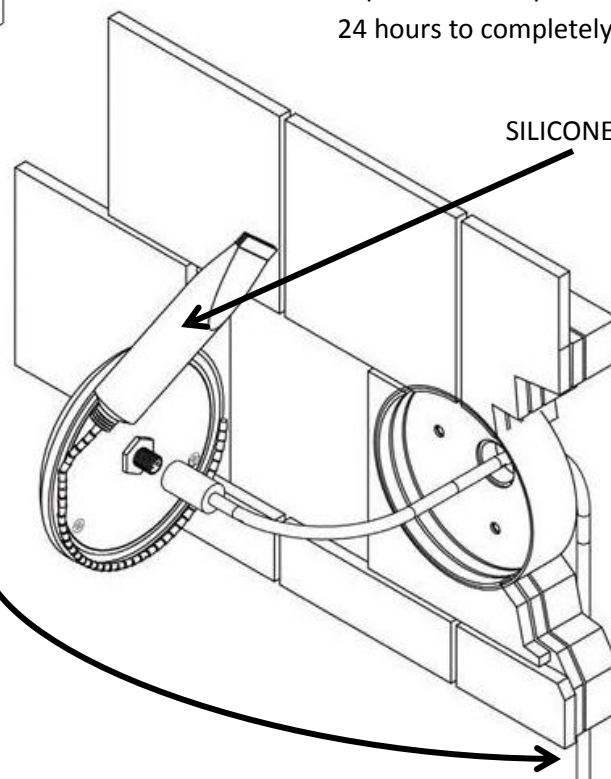
IMPORTANT NOTE:

Fully test the control system prior to silicone

Once desired fit is achieved coat back of control face with supplied silicone. Firmly press to wall surface and wipe excess silicone from around control. Tape into LEVEL position and allow 24 hours to completely dry.

SILICONE (INCLUDED)

STEP 3



ThermaSol Steam Bath Co. 1958 Steam Way, Round Rock, TX 78665
Toll-free: 800.776.0711 Fax: 800-887-6414
Visit us online @ www.thermasol.com

IMPORTANT! READ INSTALLATION AND PRODUCT GUIDE P/N 81127
81132R Rev B P-2 10/14 JWJ